

# X3.3 - G3

## EU Stage IIIA



> Specification sheet



Our energy working for you.™

### Description

The X3.3 has all the strength and reliability the genset industry has come to expect from the X Series range but in a smaller, lighter and more economical package. The X3.3 features direct fuel injection, resulting in cleaner, quieter and more fuel efficient performance. With a highly compact 4 cylinder envelope and extremely low heat rejection, the engine offers a high degree of installation flexibility.



This engine has been built to comply with CE certification.



This engine has been designed in facilities certified to ISO9001 and manufactured in facilities certified to ISO9001 or ISO9002.

### Features

**Bosch direct injection in-line pump** for cleaner, more efficient fuel consumption.

**Parent bore block** with deep, stiff crankcase and optimised rib arrangement to enhance strength and reduce noise.

**12 volt electrical package** as standard, with starter, alternator and fuel solenoid.

**Minimal derate** for high altitude or high ambient applications.

**Shallow oil pan** and single spin-on fuel filter and combination full flow bypass lube oil filter.

**SAE '3/11.5'** flywheel/flywheel housing.

**Integrated Design** - Coolpac products are supplied fitted with cooling package and heavy duty air cleaner for a complete power package. Each component has been specifically developed and rigorously tested for G-Drive products, ensuring high performance, durability and reliability.

**Service and Support** - G-Drive products are backed by an uncompromising level of technical support and after sales service, delivered through a world class service network.

### 1500 rpm (50 Hz Ratings)

Gross Engine Output			Net Engine Output			Typical Generator Set Output					
Standby	Prime	Base	Standby	Prime	Base	Standby (ESP)		Prime (PRP)		Base (COP)	
kWm/BHP			kWm/BHP			kWe	kVA	kWe	kVA	kWe	kVA
35/47	32/43	26/35	34.4/46.1	31.4/42.1	25.5/34.1	30	37.5	28	35	22.1	27.6

Our energy working for you.™

[www.cumminsdrive.com](http://www.cumminsdrive.com)

©2011 | Cummins G-Drive Engines | Specifications Subject to Change Without Notice | Cummins is a registered trademark of Cummins Inc. (02/11)



## General Engine Data

Type	4 cylinder, in-line, naturally aspirated
Bore mm	91.4 mm (3.59 in.)
Stroke mm	127 mm (5 in.)
Displacement (litre)	3.3 litre (205 in. <sup>3</sup> )
Cylinder Block	Cast iron, 4 cylinder
Battery Charging Alternator	36 amps
Starting Voltage	12 volt, negative ground
Fuel System	Direct injection
Fuel Filter	Spin on fuel filter with water drain facility
Lube Oil Filter Type(s)	Combination full flow filter
Lube Oil Capacity (litre)	6.5
Flywheel Dimensions	3/11.5

## Coolpac Performance Data

Cooling System Design	Jacket Water Circuit
Coolant Ratio	50% ethylene glycol; 50% water
Coolant Capacity (litre)	8.6
Limiting Ambient Temp.**	46
Fan Power(HP)	0.9
Cooling System Air Flow (CFM)**	1290
Air Cleaner Type	Dry replaceable element with restriction indicator

\*\* @ 13 mm H<sub>2</sub>O

## Weight & Dimensions

L	W	H	Weight (dry)
mm	mm	mm	kg
1117	728	842	322

## Fuel Consumption 1500 (50 Hz)

%	kWm	BHP	Litre/hour	US gal/hour
<b>Standby Power</b>				
100	35	47	9.4	2.5
<b>Prime Power</b>				
100	32	43	8.5	2.2
75	23.9	32	6.1	1.6
50	16.4	22	4.3	1.1
25	8.2	11	2.8	0.7
<b>Continuous Power</b>				
100	26	35	5.8	1.5

## Ratings Definitions

### Emergency Standby Power (ESP):

Applicable for supplying power to varying electrical load for the duration of power interruption of a reliable utility source. Emergency Standby Power (ESP) is in accordance with ISO 8528. Fuel Stop power in accordance with ISO 3046, AS 2789, DIN 6271 and BS 5514.

### Limited-Time Running Power (LTP):

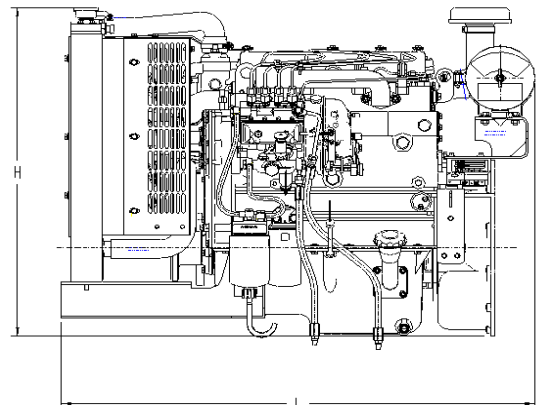
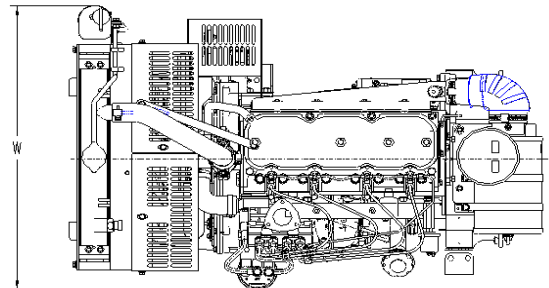
Applicable for supplying power to a constant electrical load for limited hours. Limited-Time Running Power (LTP) is in accordance with ISO 8528.

### Prime Power (PRP):

Applicable for supplying power to varying electrical load for unlimited hours. Prime Power (PRP) is in accordance with ISO 8528. Ten percent overload capability is available in accordance with ISO 3046, AS 2789, DIN 6271 and BS 5514.

### Base Load (Continuous) Power (COP):

Applicable for supplying power continuously to a constant electrical load for unlimited hours. Continuous Power (COP) in accordance with ISO 8528, ISO 3046, AS 2789, DIN 6271 and BS 5514.



## Cummins G-Drive Engines

### Asia Pacific

10 Toh Guan Road  
#07-01  
TT International Tradepark  
Singapore 608838  
Phone 65 6417 2388  
Fax 65 6417 2399

### Europe, CIS, Middle East and Africa

Manston Park Columbus Ave  
Manston Ramsgate  
Kent CT12 5BF. UK  
Phone 44 1843 255000  
Fax 44 1843 255902

### Latin America

Rua Jati, 310, Cumbica  
Guarulhos, SP 07180-900  
Brazil  
Phone 55 11 2186 4552  
Fax 55 11 2186 4729

### Mexico

Cummins S. de R.L. de C.V.  
Eje 122 No. 200 Zona Industrial  
San Luis Potosí, S.L.P. 78090  
Mexico  
Phone 52 444 870 6700  
Fax 52 444 870 6811

### North America

1400 73rd Avenue N.E.  
Minneapolis, MN 55432  
USA  
Phone 1 763 574 5000  
USA Toll-free 1 877 769 7669  
Fax 1 763 574 5298

Our energy working for you.™

[www.cumminsgdrive.com](http://www.cumminsgdrive.com)

©2011 | Cummins G-Drive Engines | Specifications Subject to Change Without Notice | Cummins is a registered trademark of Cummins Inc. (02/11)

