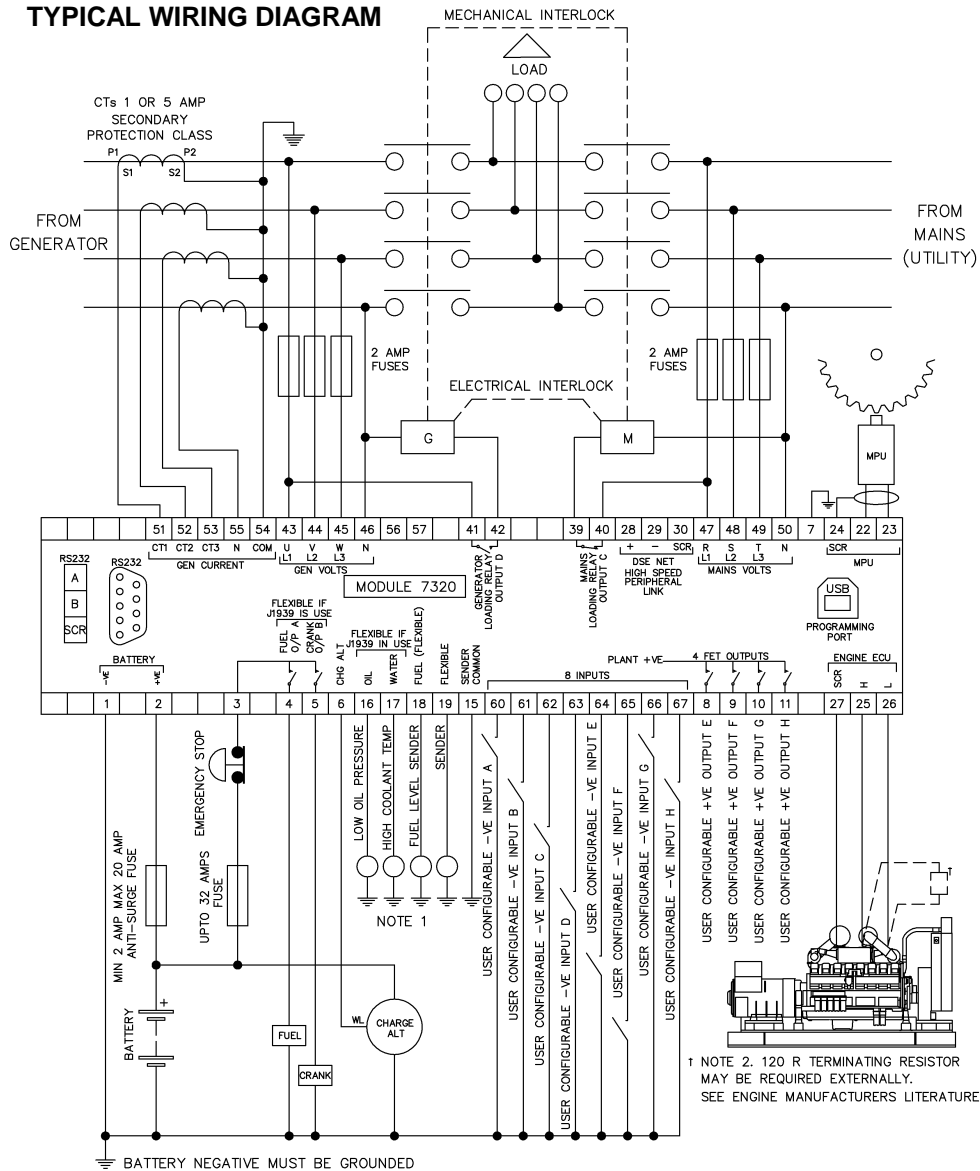


TYPICAL WIRING DIAGRAM



TERMINALS SUITABLE FOR 22-16 AWG (0.6mm - 1.3mm) FIELD WIRING TIGHTENING TORQUE = 0.8Nm (7lb-in)

NOTE 1
THESE GROUND CONNECTIONS MUST BE ON THE ENGINE BLOCK, AND MUST BE TO THE SENDER BODIES.
THE GROUND WIRE TO TERMINAL 15 MUST NOT BE USED TO PROVIDE A GROUND CONNECTION TO ANY OTHER DEVICE



ACCESSING THE FRONT PANEL CONFIGURATION EDITOR

- Ensure the engine is at rest and the module is in STOP mode by pressing the Stop/Reset button.
- Press the Stop/Reset and Info buttons simultaneously.
- If a module security PIN has been set, the PIN number request is then shown :

Editor
 Enter Pin
 ###
- Press the Info button, the first '#' changes to '0'. Press the up or down buttons to adjust it to the correct value.
- Press the right button when the first digit is correctly entered. The digit you have just entered will now show '#' for security.
- Repeat this process for the other digits of the PIN number. You can press the left button if you need to move back to adjust one of the previous digits.
- When the Info button is pressed after editing the final PIN digit, the PIN is checked for validity. If the number is not correct, you must re-enter the PIN.
- If the PIN has been successfully entered (or the module PIN has not been enabled), the editor is displayed :

Editor - Display
 Contrast
 53%

EDITING A PARAMETER

- Enter the editor as described above.
- Press the left or right buttons to cycle to the section you wish to view/change.
- Press the up or down buttons to select the parameter you wish to view/change within the currently selected section.
- To edit the parameter, press the Info button to enter edit mode. The parameter begins to flash to indicate that you are editing the value.
- Press the up or down buttons to change the parameter to the required value.
- Press the Info button to save the value. The parameter ceases flashing to indicate that it has been saved.
- To exit the editor at any time, press and hold the Info button.

† NOTE 2: 120 R TERMINATING RESISTOR MAY BE REQUIRED EXTERNALLY. SEE ENGINE MANUFACTURERS LITERATURE

Deep Sea Electronics Plc.
Tel:+44 (0)1723 890099
Fax: +44 (0)1723 893303
LO CALL (from UK BT landlines) :
Telephone 0845 260 8933
Email: support@deepseapl.com
Web: www.deepseapl.com

Deep Sea Electronics inc.
Phone: +1 (815) 316-8706
Fax: +1 (815) 316- 8708
TOLL FREE (USA only) : Tel: 1 866 636 9703
Email: dsesales@deepseausa.com
Web: www.deepseausa.com

Deep Sea Electronics Plc.
(Far East)
Tel:+66 2 670 6228
Fax: +66 2 678 3028
Email: support@deepseapl.com
Web: www.deepseapl.com

- NOTE: When the editor is visible, it is automatically exited after 5 minutes of inactivity to ensure security.
- NOTE: The PIN number is automatically reset when the editor is exited (manually or automatically) to ensure security.
- NOTE: More comprehensive module configuration is possible using the 7xxx series PC configuration software. Please contact us for further details

ADJUSTABLE PARAMETERS (Configuration editor)


Front Panel Configuration Editor

Section	Parameter as shown on display	Factory Settings
DISPLAY	Contrast	53%
	Language	English
	LCD Page Timer	5m
	Auto Scroll Delay	2s
	Current Date and time	hh:mm
ENGINE	Oil Pressure Low Shutdown	1.03bar
	Oil Pressure Low Pre Alarm	1.17bar
	Coolant Temperature Low Warning	70°C
	Coolant Temperature High Pre Alarm	90°C
	Coolant Temperature High Shutdown	95°C
	Start Delay Timer	5s
	Pre Heat Timer	0s
	Crank Duration Timer	10s
	Crank Rest Timer	10s
	Safety On Delay	10s
	Smoke Limiting	0s
	Smoke Limiting Off	0s
	Warm Up Timer	0s
	Cool Down Timer	1m
	Engine Under Speed Shutdown	Inactive
	Engine Under Speed Shutdown	1200RPM
	Engine Under Speed Warning	Inactive
	Engine Under Speed warning	1350RPM
	Engine Over Speed warning	Inactive
	Engine Over Speed warning	1650RPM
	Engine Over Speed Shutdown	1710RPM
	Engine Speed Overshoot Delay	2s
	Engine Speed Overshoot	0s
	Fail To Stop Delay	30s
	Battery Under Voltage warning	Active
	Battery Under voltage warning Delay	1m
	Battery Under Voltage	10V
	Charge Alternator Failure warning	Active
	Battery Over Voltage warning Delay	1m
	Battery Over voltage warning	30V
	Charge Alternator Failure warning	Active
	Charge Alternator Failure warning	6V
	Droop control	Disable
Droop control	4% (Compatible engine ECUs only)	
GENERATOR	Generator Under Voltage Shutdown	184V
	Generator Under Voltage Pre Alarm	196V
	Generator Over Voltage Pre Alarm	265V
	Generator Over Voltage Shutdown	277V
	Generator Under Frequency Shutdown	40Hz
	Generator Under Frequency Pre Alarm	42Hz
	Generator Over Frequency Pre Alarm	55Hz
	Generator Over Frequency Shutdown	57Hz
	Full Load Rating	500A
	Delayed Over Current	Active
	Delayed Over Current	100%
	AC System	3 Phase, 4 Wire
	CT Primary	600A
	CT Secondary	5A
	Generator Transient Delay	0s
MAINS	Mains Under Voltage Trip	184V
	Mains Over Voltage Trip	276V
	Mains Under Frequency Trip	45Hz
	Mains Over Frequency Trip	55Hz
	Mains Transient Delay	2s
	Return Delay	30s
Mains Transfer Time	0.7s	




Front Panel Configuration Editor

Section	Parameter as shown on display	Factory Settings
TIMERS	Auto Scroll Delay	2s
	LCD Page Timer	5m
	Start Delay Timer	5s
	Pre Heat Timer	0s
	Crank Duration Timer	10s
	Crank Rest Timer	10s
	Safety On Delay	10s
	Smoke Limiting	0s
	Smoke Limiting Off	0s
	Warm Up Timer	0s
	Cool Down Timer	1m
	Speed Overshoot Delay	2s
	Fail To Stop Delay	30s
	Battery voltage Low warning Delay	1m
	Battery voltage High warning Delay	1m
	Generator Transient Delay	0s
	Mains Transient Delay	2s
	Return Delay	30s
	Mains Transfer Time	0.7s

ACCESSING THE 'RUNNING' CONFIGURATION EDITOR

- The 'running' editor can be entered while the engine is running. All protections remain active if the engine is running while the running editor is entered.
- Press and hold the  button to enter the running editor.

EDITING A PARAMETER

- Enter the editor as described above.
- Press the left or right buttons to cycle to the section you wish to view/change.
- Press the up or down buttons to select the parameter you wish to view/change within the currently selected section.
- To edit the parameter, press  to enter edit mode. The parameter begins to flash to indicate that you are editing the value.
- Press the up or down buttons to change the parameter to the required value.
- Press  to save the value. The parameter ceases flashing to indicate that it has been saved.
- To exit the editor at any time, press and hold the  button.

ADJUSTABLE PARAMETERS (Running editor)

Running Editor

Section	Parameter as shown on display	Factory Settings
DISPLAY	Contrast	53%
	Language	English

DIMENSIONS

240.0mm x 181.1mm x 41.7mm (9.4" x 7.1" x 1.6")

PANEL CUTOUT:

220mm x 160mm (8.7" x 6.3")